



VRSC ACCESSORY SEATS AND PILLIONS

J02128

2012-07-11

GENERAL

Kit Numbers

51584-01, 51588-05, 51594-05, 51595-05, 52023-01A, 52024-01, 52028-02, 52036-01, 53432-02, 52927-05, 51598-05, 51644-06, 51647-06, and 51648-06

Models

These kits are designed to fit 2002 and later VRSC model motorcycles, except VRSCR models.

Additional Parts Required

Kit Numbers 51584-01, 52028-02, 52036-01, 53432-02 and 52927-05 are Seat and Pillion (passenger seat) combinations. The Pillion in kit number 53432-02 (Sundowner) and 52927-05 (Tallboy) also requires the use of Fender Base Plate Kit 51120-01, which is sold separately.

Kit 52024-01 is a Reach Seat only, and requires the use of either the stock pillion or Touring Pillion 52023-01A.

Kits 52023-01A, 51588-05 and 51644-06 are Touring Pillions only and are intended to be used with either the stock seat or Reach Seat 52024-01, and also requires installation of Fender Base Plate Kit 51120-01, which is sold separately.

Kit 51598-05 is a Touring Pillion and requires the use of Fender Base Plate Kit 51120-01 or One-Piece Luggage Rack 51209-05 or 51210-05.

Kits 51594-05 and 51595-05 are pillion and seat kits that are intended to be used together.

Kits 51647-06 and 51648-06 are pillion and seat kits that are intended to be used together.

WARNING

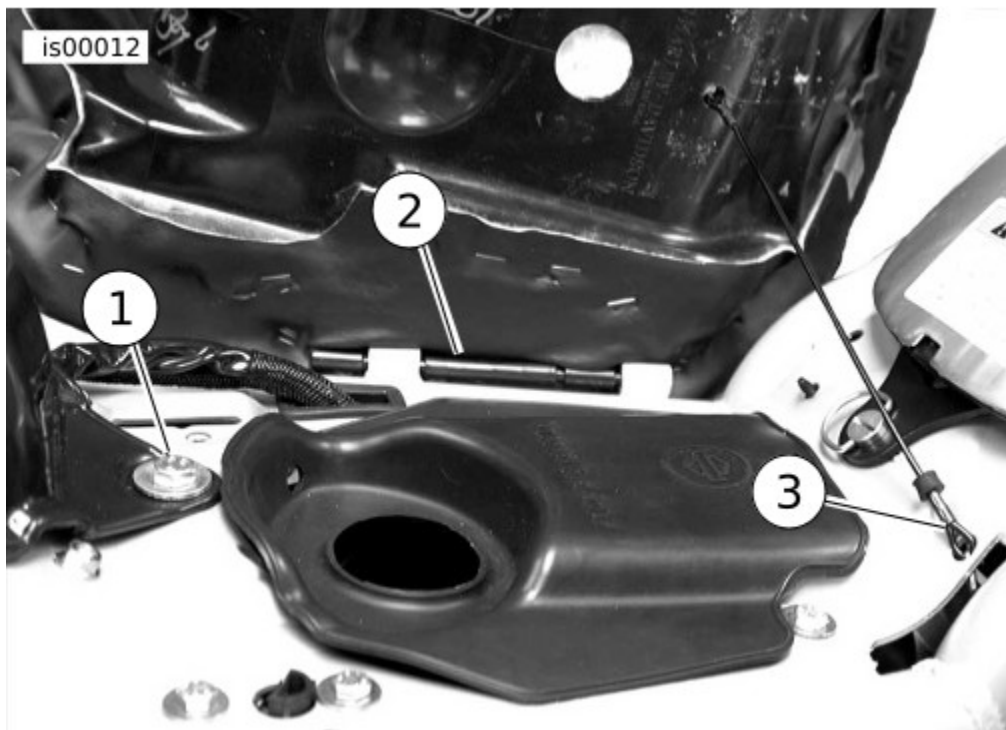
Rider and passenger safety depend upon the correct installation of this kit. Use the appropriate service manual procedures. If the procedure is not within your capabilities or you do not have the correct tools, have a Harley-Davidson dealer perform the installation. Improper installation of this kit could result in death or serious injury. (00333b)

NOTE

This instruction sheet references Service Manual information. A Service Manual for your model motorcycle is required for this installation and is available from a Harley-Davidson dealer.

Kit Contents

See Figure 4 and Table 1.



VIEW INTERACTIVE IMAGE

1. Pillion mounting bolt.
2. Seat-hinge sleeve.
3. Seat tether.

Figure 1. Seat and Pillion Fastener Points

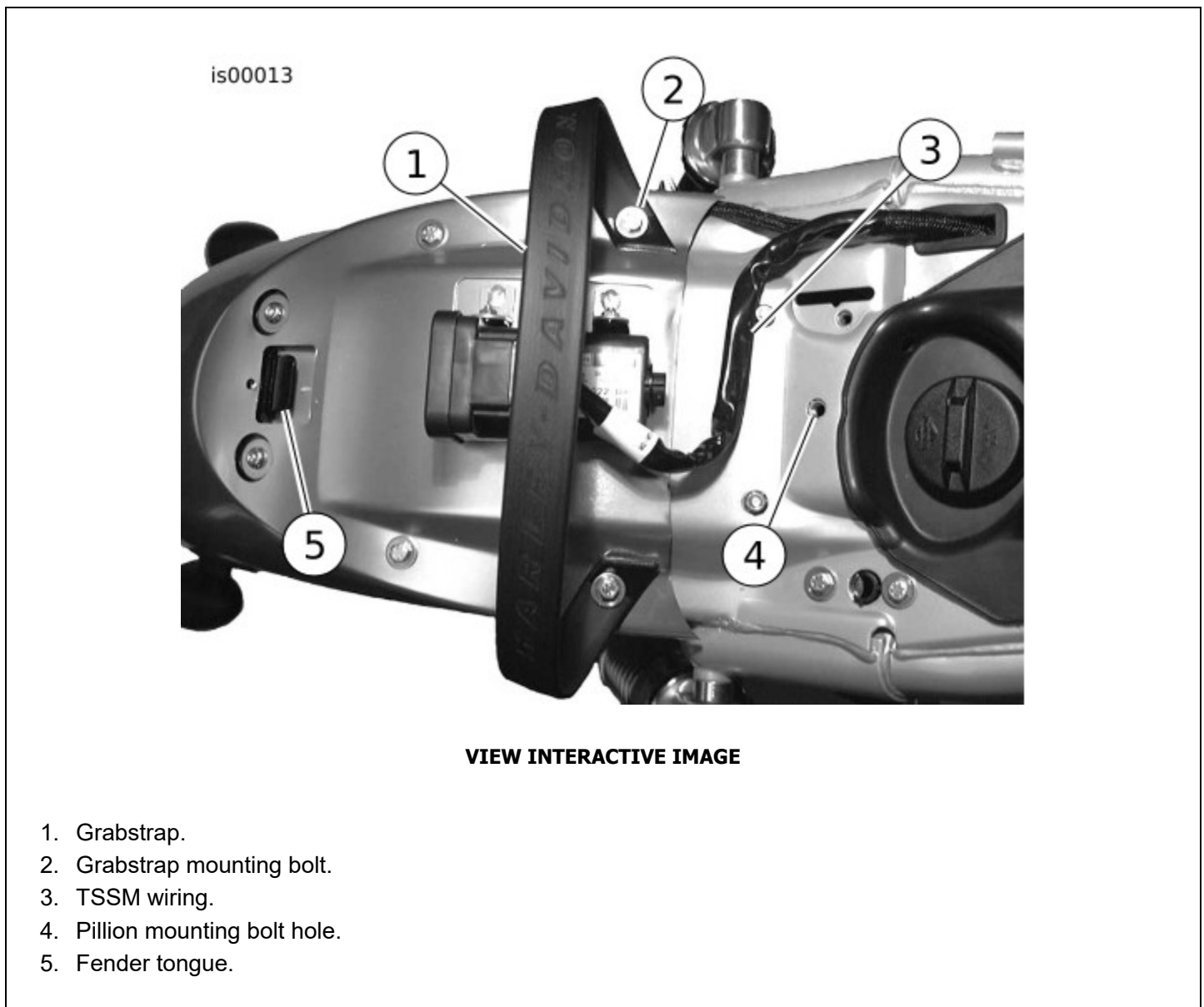


Figure 2. Pillion and Grabstrap Fastener Points

INSTALLATION

Installing Seat and Pillion Kits: 51584-01, 52028-02, 52036-01, 53432-02, or 52927-05

NOTE

Proper installation of **53432-02 (Sundowner)** and **52927-05 (Tallboy)** requires installation of Fender Base Plate Kit 51120-01.

1. Refer to the appropriate Service Manual and remove the stock seat and pillion.
2. See [Figure 2](#). Remove the two mounting bolts (2) from the passenger grabstrap (1). Save the bolts for installation.

NOTE

The grabstrap must loop toward the rear. Check that the "Harley-Davidson" text on the grabstrap can be read

from the front of the vehicle.

3. See [Figure 2](#). Install stock grabstrap bolt, and one end of grabstrap as shown. While holding the grabstrap end parallel to the formed line of the fender, tighten the bolt to 8–12 N·m (71–106 **in-lbs**). Repeat for opposite end of grabstrap.

NOTE

The new pillions included in Kits 52028-02 (Custom), 52036-02 (Badlander) and 51584-01 (Leather Badlander) are installed from front-to-back.

The pillion included in Kits 53432-02 (Sundowner) and 52927-05 (Tallboy) must be installed through the grabstrap from back-to-front.

To install the Sundowner or Tallboy Pillion on a motorcycle having a sissybar upright installed on Fender Base Plate Kit 51120-01, remove the upright before installing the pillion. Install the upright after the Sundowner Pillion is installed.

For kit numbers 52028-02 (Custom), 52036-01 (Vinyl Badlander) and 51584-01 (Leather Badlander) Seat Kits, be aware of the following:

The 2003 Model Year 100th Anniversary VRSCA vehicle with two-tone sterling silver and vivid black paint has protective tape covering the rear under-the-seat area of the airbox cover. For the seats listed above, it will be necessary for cosmetic reasons, to carefully remove the protective tape and reapply it so it is in the correct position for these shorter-nose seats. Some trimming of the lower portion of the protective tape may be necessary to eliminate interference with the airbox cover latch. If necessary, reorder protective tape (48403-03).

4. Install new pillion into position through grabstrap. Prevent pinching TSSM control wiring by routing the cable through the channel on the underside of the pillion (see [Figure 2](#)) and away from the pillion mounting bolt. Pinched wiring may damage the TSSM system.

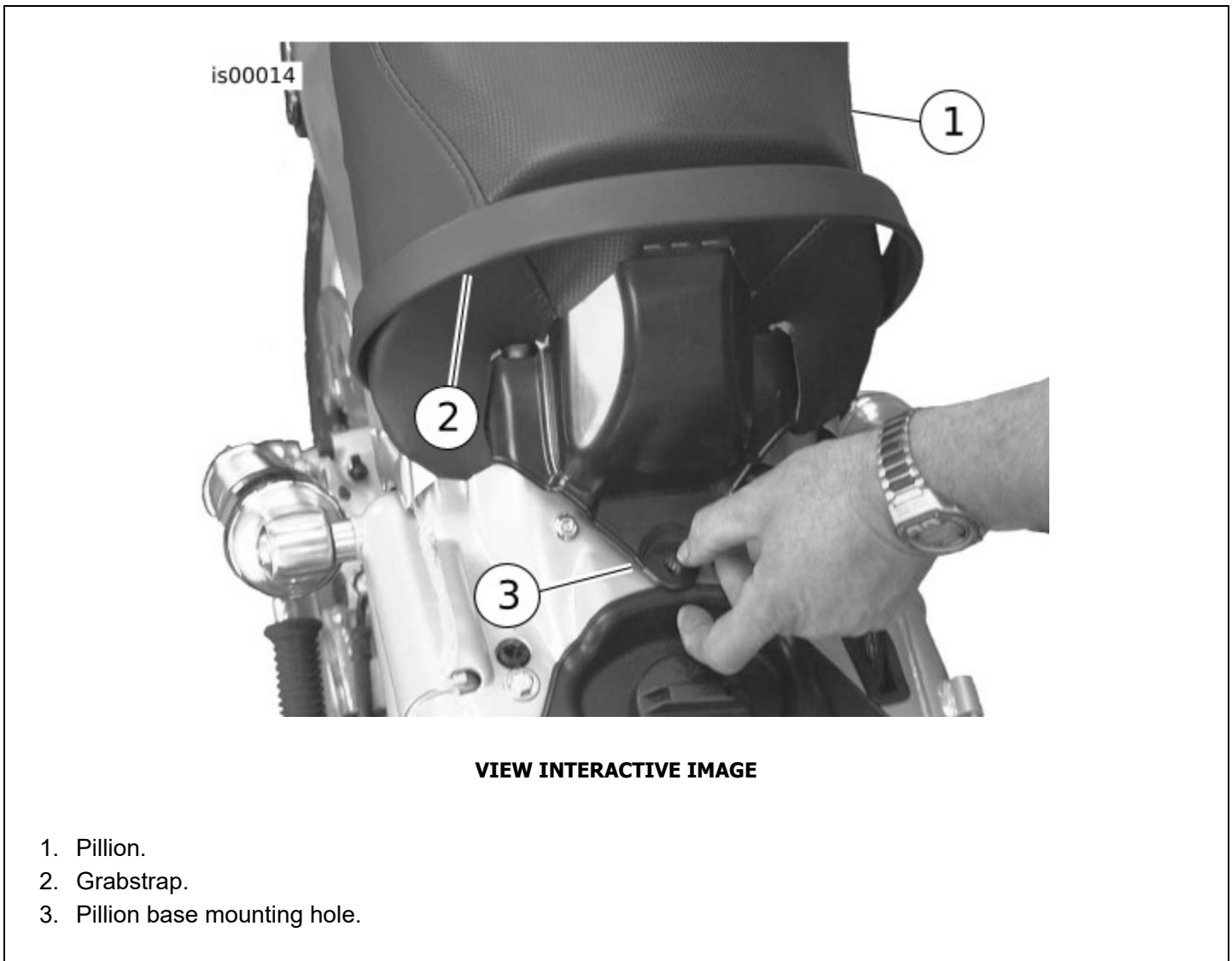


Figure 3. Pillion Base Mounting Hole

5. See [Figure 3](#). Push the pillion (1) forward through the grabstrap (2) until the pillion mounting hole is approximately 25 mm (1 in.) forward of the hole (3) in the frame.
6. See [Figure 2](#). Push down on the pillion and slide the pillion toward the rear to engage the pillion slot with the fender tongue (5). Push rearward until the pillion mounting holes align.

⚠ WARNING

After installing pillion, pull upward to be sure it is locked in position. While riding, a loose pillion can shift causing loss of control, which could result in death or serious injury. (00387a)

7. Install original pillion mounting bolt. Tighten bolt to 11–14 N·m (97–124 in-lbs).
8. Install the sissybar upright, if removed earlier.
9. Position the seat (as if opened) onto the frame. Slide the seat forward to insert the seat-hinge pins into the bushings on the frame.
10. See [Figure 1](#). Clip the plastic seat-hinge sleeve (2) over the seat hinge.
11. See [Figure 1](#). Insert the seat tether (3) into the hole in the motorcycle frame.
12. Refer to the applicable Owner's Manual and close the seat.

Installing Seat Kits: 51595-05, 52024-01, or 51647-06

Kit 51595-05 requires the use of pillion kit 51594-05.

Kit 51647-06 requires the use of pillion kit 51648-06.

Kit 52024-01 requires the use of either the stock pillion or Touring Pillion 52023-01A.

1. Refer to the appropriate Service Manual and remove the stock seat.
2. For Kits 51595-05 and 51647-06 seat installation only, install the grabstrap as follows:
 - a. See [Figure 2](#). Remove the two mounting bolts (2) from the passenger grabstrap (1). Save the bolts for installation.
 - b. See [Figure 2](#). Install stock grabstrap bolt, and one end of grabstrap as shown. While holding the grabstrap end parallel to the formed line of the fender, tighten the bolt to 8–12 N·m (71–106 **in-lbs**). Repeat for opposite end of grabstrap.
3. Position the seat (as if opened) onto the frame. Slide the seat forward to insert the seat-hinge pins into the bushings on the frame.
4. See [Figure 1](#). Clip the plastic seat-hinge sleeve (2) over the seat hinge.
5. See [Figure 1](#). Insert the seat tether (3) into the hole in the motorcycle frame.
6. Refer to the applicable Owner's Manual and close the seat.

Installing Pillion Kits: 51588-05, 51594-05, 52023-01A, 51648-06, or 51644-06.

Touring Pillions 51588-05, 52023-01A, 51644-06 are intended for use with either the stock seat or Reach Seat 52024-01. Fender Base Plate Kit 51120-01 must also be installed.

VRSCSE Pillion 51594-05 is intended to be installed with seat kit 51595-05.

VRSCSE Pillion 51598-05 is intended to be installed on models with Fender Base Plate Kit 51120-01 or One-Piece Luggage Racks 51209-05 or 51210-05.

VRSCSE Pillion 51648-06 is intended to be installed with seat kit 51647-06.

NOTE

To ease pillion installation, refer to the appropriate Service Manual and remove the rider seat from the motorcycle.

1. Refer to the appropriate Service Manual and remove the stock pillion.

NOTE

To install the Touring Pillion on a motorcycle having a sissybar upright installed on Fender Base Plate Kit 51120-01, remove the upright before installing the pillion. Install the upright after the Touring Pillion is installed.

2. See [Figure 3](#). Insert the Touring Pillion (1), from back to front, into position through the grabstrap.

NOTE

To ease installation, wiggle the pillion slightly from side to side while applying downward and rearward pressure on the center of the pillion.

3. See [Figure 3](#). Push the pillion (1) forward through the grabstrap (2) until the pillion mounting hole is approximately 25 mm (1 in.) forward of the hole (3) in the frame.
4. See [Figure 2](#). Push down on the pillion and slide the pillion toward the rear to engage the pillion slot with the fender tongue (5). Push rearward until the pillion mounting holes align.

⚠ WARNING

After installing pillion, pull upward to be sure it is locked in position. While riding, a loose pillion can shift causing loss of control, which could result in death or serious injury. (00387a)

5. Install original pillion mounting bolt. Tighten bolt to 11–14 N·m (97–124 **in-lbs**).
6. Install the sissybar upright if removed earlier.

SERVICE PARTS

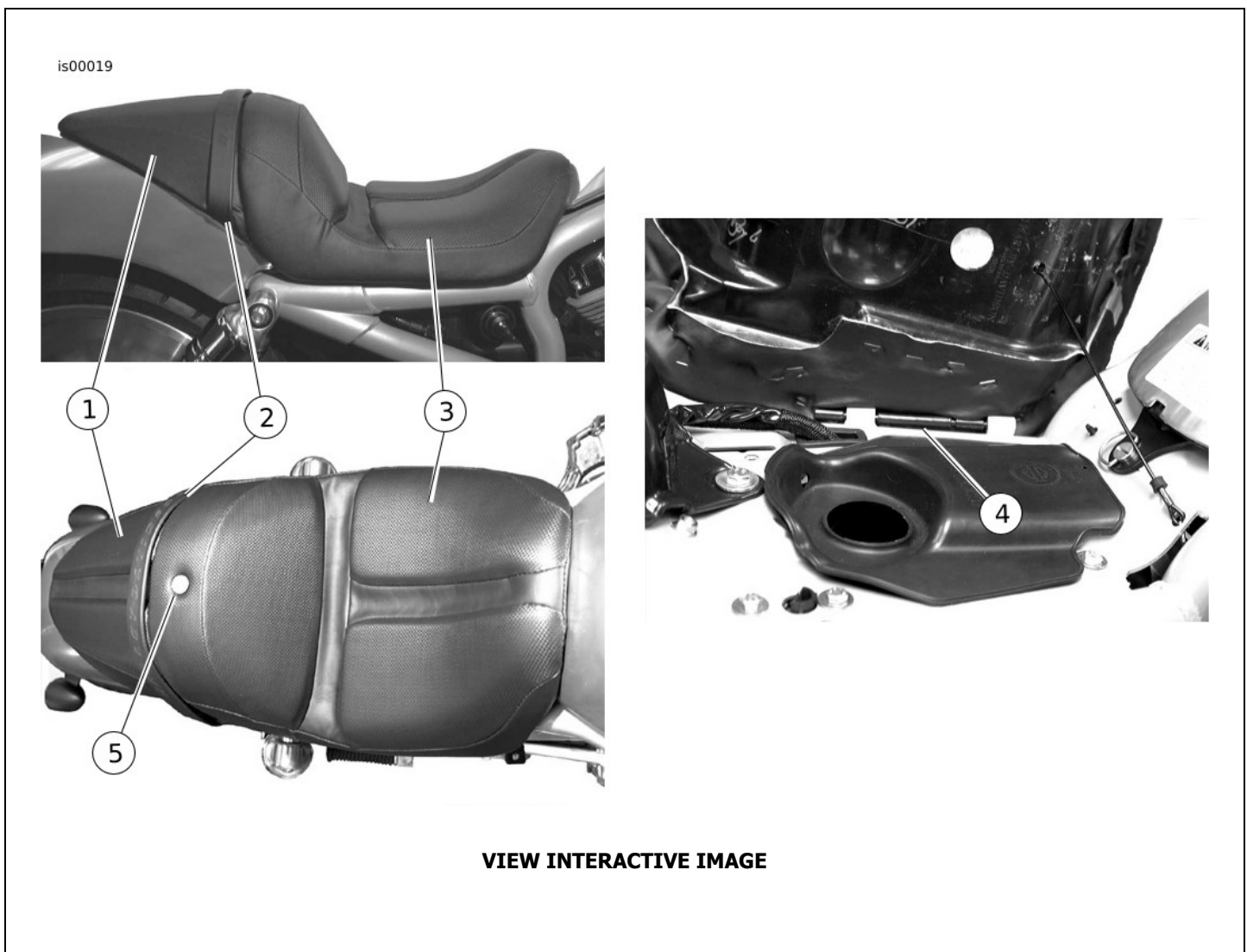


Figure 4. VRSC Accessory Seats and Pillions

Table 1. Service Parts

KIT	ITEM	DESCRIPTION (QUANTITY)	PART NUMBER
Kit 51584-01 Leather Badlander Seat and Pillion	1	Leather Badlander pillion	51586-01
	2	Grabstrap	52177-02

KIT	ITEM	DESCRIPTION (QUANTITY)	PART NUMBER
	3	Leather Badlander seat	51585-01
	4	Seat-hinge sleeve	52041-82
	5	Button repair kit (service kit)	51606-01
	6	Leather care kit (not shown)	Not Sold Separately
	7	Seat retention grommet (not shown)	11651
Kit 51588-05 Touring Pillion	1	Touring pillion	Not Sold Separately
Kit 51594-05 VRSCSE Pillion	1	VRSCSE pillion	Not Sold Separately
	2	Grabstrap	69142-05
Kit 51595-05 VRSCSE Seat	3	VRSCSE seat	Not Sold Separately
	4	Seat-hinge sleeve	52041-82
	7	Seat retention grommet (not shown)	11651
Kit 52927-05 Tallboy Seat	1	Tallboy pillion	52929-05
	2	Grabstrap	52031-05
	3	Tallboy seat	52928-05
	7	Seat retention grommet (not shown)	11651
Kit 52023-01A Touring Pillion	1	Touring pillion	Not Sold Separately
Kit 51598-05 VRSCSE Touring Pillion	1	Touring pillion	Not Sold Separately
Kit 52024-01 Reach Seat	3	Reach Seat	Not Sold Separately
	4	Seat-hinge sleeve	52041-82
	7	Seat retention grommet (not shown)	11651
Kit 52028-02 Custom Seat and Pillion	1	Custom pillion	52144-02
	2	Grabstrap	52177-02
	3	Custom seat	52143-02
	4	Seat-hinge sleeve	52041-82
	5	Button repair kit (service kit)	51606-01
	7	Seat retention grommet (not shown)	11651

KIT	ITEM	DESCRIPTION (QUANTITY)	PART NUMBER
Kit 52036-01 Vinyl Badlander Seat and Pillion	1	Vinyl Badlander pillion	52100-01
	2	Grabstrap	52177-02
	3	Vinyl Badlander seat	52043-01
	4	Seat-hinge sleeve	52041-82
	7	Seat retention grommet (not shown)	11651
Kit 53432-02 Sundowner Seat and Pillion	1	Sundowner pillion	53476-02
	2	Grabstrap	53525-02
	3	Sundowner seat	53451-02
	4	Seat-hinge sleeve	52041-82
	7	Seat retention grommet (not shown)	11651
Kit 51644-06 VRSCD Touring Pillion	1	Touring pillion	Not Sold Separately
Kit 51647-06 VRSCSE2 Seat	3	VRSCSE2 seat	Not Sold Separately
	4	Seat hinge sleeve	52041-82
	7	Seat retention grommet (not shown)	11651
Kit 51648-06 VRSCSE2 Pillion	1	VRSCSE2 pillion	Not Sold Separately
	2	Grabstrap	69142-05